

DIGITAL DRAGON SPSLW4-LWD
PORTABLE 4.0/8.0 kW
WITH TOSHIBA FDX3543RP FLAT PANEL



Affordable Portable Digital Imaging



The digital Dragon is ideally suited for portable, clinic, morgue, prison, sport facility and any application requiring portable imaging. The integrated touch screen allows for APR selection on the 17" touch screen monitor. Multiple APR views can be selected for a patient to increase speed and efficiency. The 14 x 17" Csl panel, dual focal spot tube and exam specific algorithm image processing produces exceptional image quality as compared to units with single focal spot tube. Images are previewed in seconds on the 17" monitor and can be transmitted over cellular or WIFI connections. The Dragon is one of the most powerful, full featured portables available.

- Powerful 100 mA, 125 kVp
- 4 kW or 8 kW HF Generator
- 14 x 17" Csl Flat Panel
- 17" Touch Screen Monitor
- Generator Integration
- APR and Positioning Guide
- Fine Tuning of Techniques at Touch Screen or Tube
- Fractional Focal Spot Tube for Greater Detail
- LED Collimator
- Activate Collimator Light From 4 Locations
- Exam Specific Algorithm Image Processing



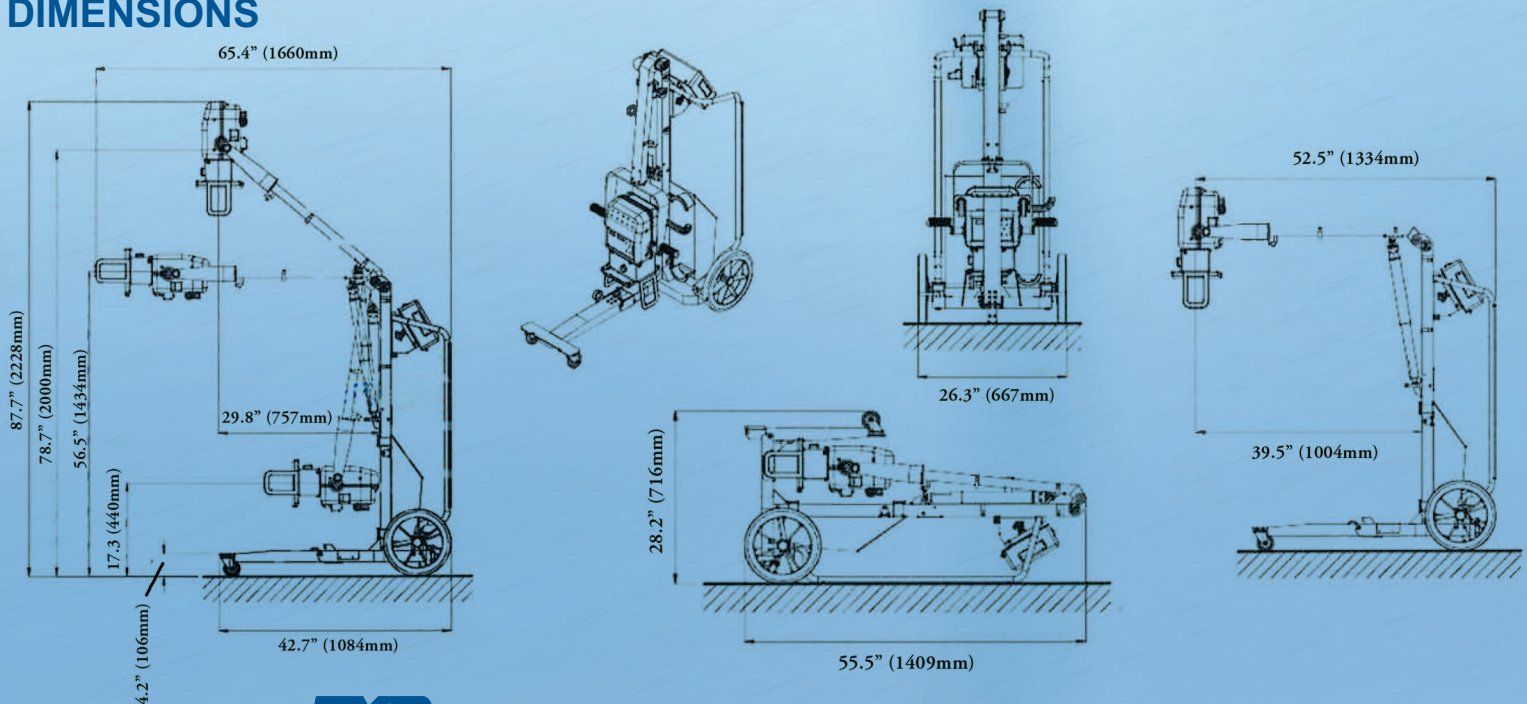
TXR • 5481 Skyland Blvd., E • Cottondale, AL 35453

Phone: 205-556-3803 • Fax: 205-556-3824 • 800-897-9729 • www.txr.com • sales@txr.com

PORTABLE X-RAY SYSTEM

SPECIFICATIONS	HIGH FREQUENCY X-RAY GENERATORS
MODELS	SPSL-HF4.0APAL / SPSL-HF8.0APAL
kW RATING	4.0 / 8.0
kVp RANGE in 1 kVp STEPS accuracy	40 to 125 +/- 5%
HIGH FREQUENCY RIPPLE	300 kHz
mA STATIONS	5, 6.4, 8, 10, 12.5, 16, 20, 25, 32, 40, 50, 64, 80, 100
EXPOSURE TIME RANGE	0.001 - 10 seconds
NUMBER OF STATIONS	41 (in 25% steps)
mAs RANGE	0.1 - 250 mAs
NUMBER OF STATIONS accuracy	34 (in 25% steps) 5%
STANDARD 6 REGION APR	Skull, Thorax, Spine, Abdomen/Pelvis, Lower & Upper Extremities/ Small, Medium, Large and Pediatric Patient Sizes
OPTIONAL APR	1 Region
USER FRIENDLY MULTI LANGUAGE SELECTION	English, Spanish, French, German, Russian, Polish and Turkish
X-RAY TUBE Stationary Anode TWO Focal Spots Anode Heat Storage Capacity Target Angle	0.6 mm - 1.5 mm / 0.6 mm - 2.8 mm 40.000 HU / 76.000 HU 14° / 14°
LASER LIGHT COLLIMATOR	OPTIONAL
POWER CORD	19.7 ft. (6 meters)
EXPOSURE CORD	9.8 ft. (3 meters)
LINE REGULATION	Single-Phase Line Regulation OUTPUT POWER ADAPTATION TO POWER LINE CONDITIONS
LINE POWER REQUIREMENTS +/- 10% VAC (50/60Hz)	120 VAC - 240 VAC / 220 VAC - 240 VAC 4.0 requires solid 20 amp breaker on 120V line for full power—8.0 requires 220-240 VAC
WEIGHT	170 lbs. (77.5 Kg with detector)

DIMENSIONS



TXR • 5481 Skyland Blvd., E • Cottondale, AL 35453

Phone: 205-556-3803 • Fax: 205-556-3824 • 800-897-9729 • www.txr.com • sales@txr.com

Complies with FDA and Product Safety Requirements. • Specifications Subject to Change Without Notice

#1013-DD